

Nyx 330 - post top

Design: Vilhelm Lauritzen Architects



NYX 330 is suitable for mounting on columns from 9-18 ft. The single luminaire can be used on any type of column with a top diameter of 2,4lbs. Adapter for 1,6 and 1,8lbs posts available. Nyx 330 is also available for mid-post mounting of more luminaires on a Ø2,4 cylinder.

Two or more luminaires can be mounted on each column. Luminaires two-by-two will be the solution for low columns - images can be found at www.focus-lighting.dk.

The Nyx 330 luminaire can be mounted on a double arm. The standard version is in hot-dipped galvanised steel and can be powder coated in the same colours as the luminaires.



NYX is a series of external luminaires for wall or column mounting. Nyx is the answer to today's demands for pleasant and well-defined light in urban areas.

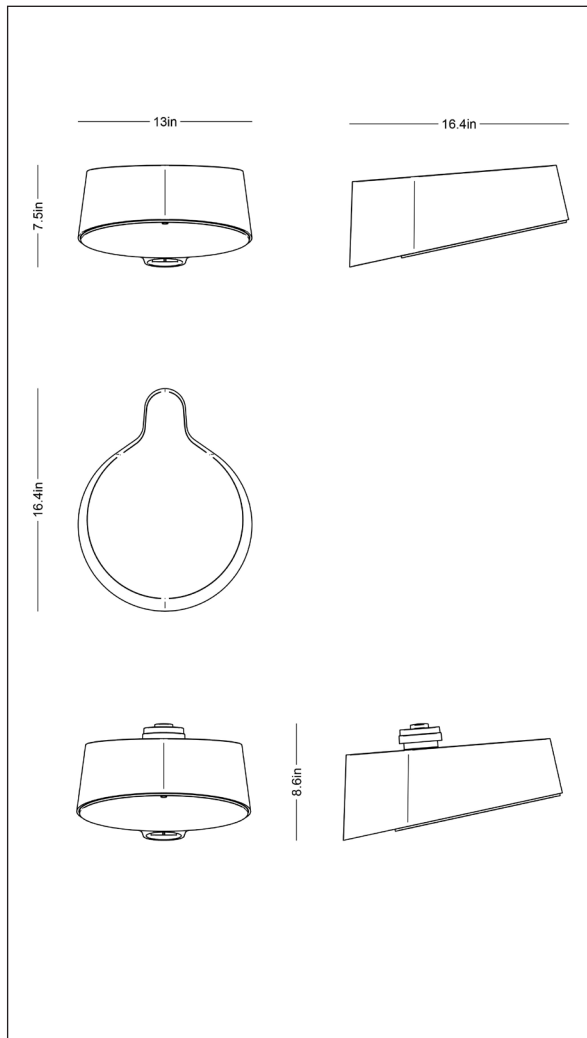
Nyx 330 is available for post-top and wall mounting. Like the rest of the Nyx series, it comes in black, corten brown, and two grey colours suitable for galvanised standard columns. Made of cast silicon with frosted polycarbonate shades, the luminaires are simple and safe and do not invite to vandalism.

The NYX luminaires are available with LED, and the shade edge being visible, it offers optical guidance.



Nyx 330 post top T2

Design: Vilhelm Lauritzen Architects



Luminaire specs:

Material:	Cast aluminium
Finish:	Raw anodized Graphite grey: YW355F Silver grey: Y2370I Black: Noir 900 Sablé, SN351F Corten brown: YX355F RAL by your choice
Shade:	UV-resistant polycarbonate, frosted
Mounting:	Post top/pipe: Ø2,4 in x H4 in
Connection:	In the post, 13.1 ft SJTW5xAWG18 (SJTW3xAWG18 for NEMA socket), is included
Classification:	cULus; Wet location; IP65; class I; IK10 (with NEMA socket IK09)
Corrosion class:	C4, C5 optional
Weight:	18 lbs
Wind sweeping area:	0,57 ft ²

LED specs:

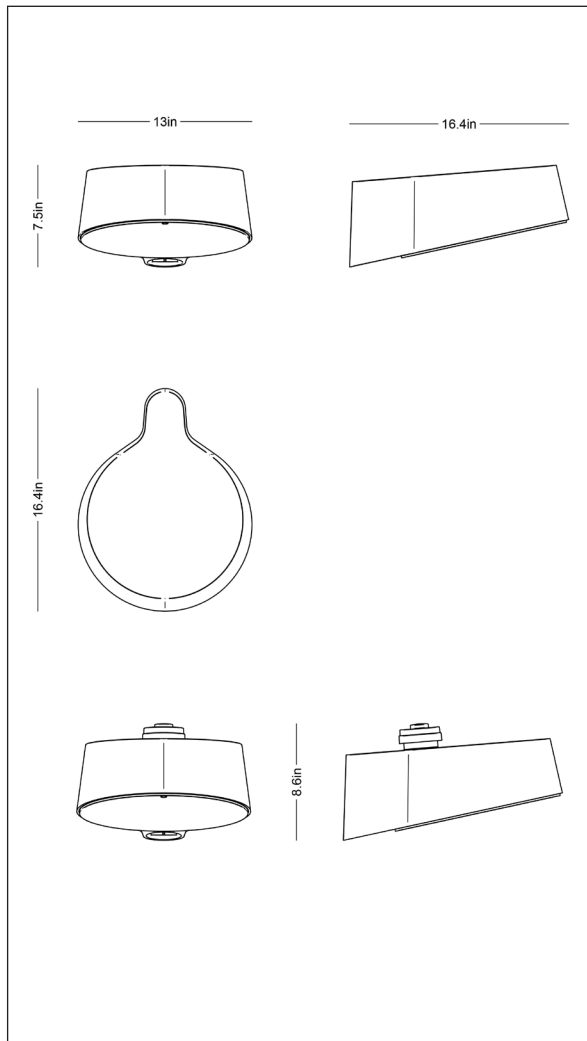
LED:	FF-DA 2x8 DA G5 T2 optic
Operational life:	min 100,000 hours at ta max 77°F (25°C), L90B10
Color temperature:	2700, 3000, or 4000 K
Color rendering:	CRI 80
Color accuracy:	5 Steps SDCM

Driver specs:

Driver:	Xitanium 55W 0.1-1.8A 0-10V
Inrush current:	@120V; max 23 A (10% after 166,5 µs) @277V; max 51,5 A (10% after 158 µs)
Nominal voltage, AC:	120-277 Vac
Op. input voltage, AC:	108-305 Vac
Nominal voltage, DC:	125-250 Vdc
Nom. frequency range:	50-60 Hz
Surge protection:	L/N-GND: 6 k; L-N: 6 kV
Operational life:	min 100,000 hours
Dimming/control:	0-10V
Other control options:	via NEMA socket

Nyx 330 post top T3

Design: Vilhelm Lauritzen Architects



Luminaire specs:

Material:	Cast aluminium
Finish:	Raw anodized Graphite grey: YW355F Silver grey: Y2370I Black: Noir 900 Sablé, SN351F Corten brown: YX355F RAL by your choice
Shade:	UV-resistant polycarbonate, frosted
Mounting:	Post top/pipe: Ø2,4 in x H4 in
Connection:	In the post, 13.1 ft SJTW5xAWG18 (SJTW3xAWG18 for NEMA socket), is included
Classification:	cULus; Wet location; IP65; class I; IK10 (with NEMA socket IK09)
Corrosion class:	C4, C5 optional
Weight:	18 lbs
Wind sweeping area:	0,57 ft ²

LED specs:

LED:	FF-DA 2x8 DA G5 T3 optic
Operational life:	min 100,000 hours at ta max 77°F (25°C), L90B10
Colour temperature:	2700, 3000, or 4000 K
Color rendering:	CRI 80
Color accuracy:	5 Steps SDCM

Driver specs:

Driver:	Xitanium 55W 0.1-1.8A 0-10V
Inrush current:	@120V; max 23 A (10% after 166,5 µs) @277V; max 51,5 A (10% after 158 µs)
Nominal voltage, AC:	120-277 Vac
Op. input voltage, AC:	108-305 Vac
Nominal voltage, DC:	125-250 Vdc
Nom. frequency range:	50-60 Hz
Surge protection:	L/N-GND: 6 k; L-N: 6 kV
Operational life:	min 100,000 hours
Dimming/control:	0-10V
Other control options:	via NEMA socket

Spec sheet – Nyx 330

Product number

Product no	Light source
US8024	Fastflex 2x8, T3
US8044	Fastflex 2x8, T2

Variant

Wattage	Color	Color Temperature
23W 23W	01 RAW Anodized	827 2700K, CRI80
28W 28W	4 Graphite grey	830 3000K, CRI80
35W 35W	9 Silver grey	840 4000K, CRI80
42W 42W	17 Corten brown	
	66 Black textured mat	
	RAL Other RAL color	

Optional

Mounting	Controls	Corrosion coating	Protection class
Standard Post top 2.4 inch	Standard 0-10V	Standard C4 Standard	Standard 120-277V (60Hz)
M3 Mid post 2.4 inch	N Nema	C5 C5 Coastal	

Variant info

Wattage	2700K		3000K		4000K		lm/W
	Lumen	BUG	Lumen	BUG	Lumen	BUG	
Item no: US8024							
23W	2056 lm	B1 U2 G1	2164 lm	B1 U2 G1	2292 lm	B1 U2 G1	89-100
28W	2678 lm	B1 U2 G1	2819 lm	B1 U2 G1	2139 lm	B1 U2 G1	96-76
35W	3272 lm	B1 U2 G1	3445 lm	B1 U2 G1	3650 lm	B1 U2 G1	93-104
42W	3843 lm	B1 U2 G1	4046 lm	B1 U2 G1	4287 lm	B1 U2 G1	92-102
Item no: US8044							
23W	1918 lm	B0 U1 G1	2019 lm	B0 U2 G1	2138 lm	B0 U2 G1	83-93
28W	2498 lm	B1 U2 G1	2630 lm	B1 U2 G1	1995 lm	B1 U2 G1	89-71
35W	3052 lm	B1 U2 G1	3213 lm	B1 U2 G1	3405 lm	B1 U2 G1	87-97
42W	3584 lm	B1 U2 G2	3774 lm	B1 U2 G2	3999 lm	B1 U2 G2	85-95