

Nyx 190

Design: Vilhelm Lauritzen Architects



The smallest luminaire in the Nyx family is Nyx 190 for wall or bollard mounting. As is the case with the other Nyx luminaires, Nyx 190 is available in two black, two grey colors, and the new corten brown.

With housing in cast silumin and screen in opalized polycarbonate, the luminaires are simple and resistant to vandalism.

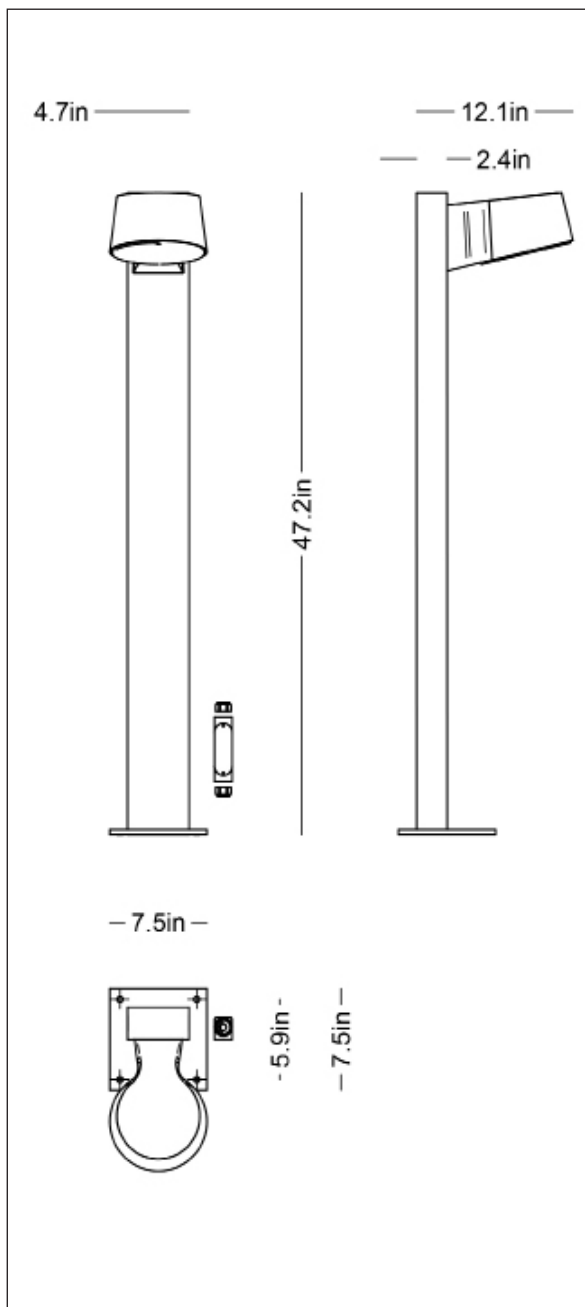
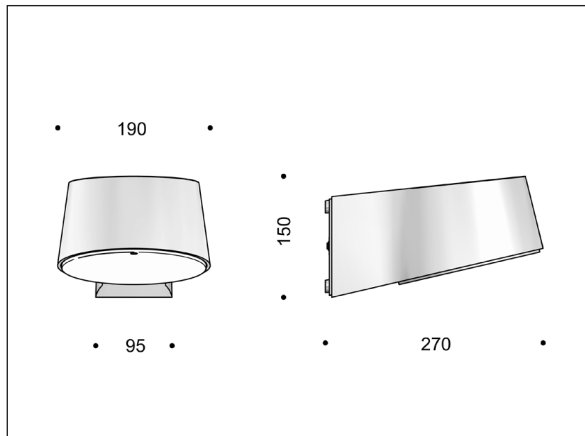
In Greek mythology NYX is the goddess of the night, ruling over darkness - NYX gave birth to the day



F-L LIGHTING

Nyx 190 Bollard

Design: Vilhelm Lauritzen Architects



Luminaire specs:

Material:	Cast aluminium
Finish:	Raw anodized Graphite grey: YW355F Silver grey: Y2370I Corten brown: YX355F Black: textured mat Noir 900 Sablé, SN351F, Akzo Nobel RAL by your choice
Screen:	UV-resistant polycarbonate, frosted
Mounting:	Flanged base
Connection:	In the post, SJTW5xAWG18 is included
Classification:	cULus; Wet location; IP65; class I; IK10
Corrosion class:	C4, C5 optional
Weight:	6 lbs

LED specs:

LED:	2 X Bridgelux COB
Operational life:	min 100,000 hours at ta max 77°F (25°C), L90B10
Color temperature:	2700, 3000, or 4000 Kelvin
Color rendering:	CRI 90
Color accuracy:	3 Steps SDCM

Driver specs:

Driver:	Xitanium 25W 0.1-1.0A 0-10V
Inrush current::	@120V; max 10 A (10% after 62 μ s) @270V; max 26 A (10% after 73 μ s)
Nominal voltage, AC:	120-277 Vac
Op. input voltage, AC:	108-305 Vac
Nominal voltage, DC:	
Nom. frequency range:	50-60 Hz
Surge protection:	L/N-GND: 2,5 k; L-N: 2,5 kV
Operational life:	min 50,000 hours
Dimming/control:	0-10V

Spec sheet – Nyx 190 Bollard

Product number

Product no	Light source
US7002	Bridgelux V6

Variants

Wattage	Color	Color Temperature
9W 9W	01 RAW Anodized	927 2700K, CRI90
15W 15W	4 Graphite grey	930 3000K, CRI90
	9 Silver grey	940 4000K, CRI90
	17 Corten brown	
	66 Black textured mat	
	RAL Other RAL color	

Optional

Controls	Corrosion coating	Protection class
Standard 0-10V	Standard C4 Standard	Standard 120-277V (60Hz)
	C5 C5 Coastal	

Variants info

Wattage	2700K		3000K		4000K		lm/W
	Lumen	BUG	Lumen	BUG	Lumen	BUG	
Item no: US7002							
9W	520 lm	B0 U2 G1	543 lm	B0 U2 G1	576 lm	B0 U2 G1	58-64
15W	808 lm	B0 U2 G1	845 lm	B0 U2 G1	895 lm	B0 U2 G1	54-60